



SiRcom

An Emergency Mass Notification System Solution

A large graphic featuring a city skyline in shades of grey and blue. Overlaid on the skyline is a target symbol composed of three concentric white circles. In the center of the innermost circle, the word "ALERT" is written in a bold, blue, sans-serif font.

ALERT

Making A Difference Through
LIFE-SAVING TECHNOLOGY



Touchscreen



Camera



Battery



Microphone

World's Most Customizable Alert Displays

The Si-Touch Panel is a multi-purpose mass notification & safety systems management device. The Si-Touch can be deployed as a standalone mass notification system management device or it can be an add-on to an existing indoor and outdoor system. The Si-Touch Panel provides all of the features of the SiRcom Central Control station. This means that from any Si-Touch Panel, a user can activate the indoor and outdoor mass notification system. In addition, Si-Touch Panels can be easily configured to become panic buttons, indoor visual alert panels, two-way help stations, and even a CCTV camera devices in areas not covered with security systems. The Si-Touch Panel is truly a stand-alone mass notification system that can modernize any existing legacy analog systems or be the backbone of new installation.

Use Case Options

The SiRcom Si-Touch Panels provide the following capabilities:

- Central Control Panel
- Public Address Management Device
- Local Operating Consoles (Outdoor Sirens)
- Visual Alert Displays (ADA Compliant)
- Intelligible Voice & Tone Alerting Device
- Two-Way Help Stations With Video & Sound
- Way-Finding Devices
- Panic Buttons (Fully Customized Buttons)
- Check-In Devices
- Much More...

Capable Solution



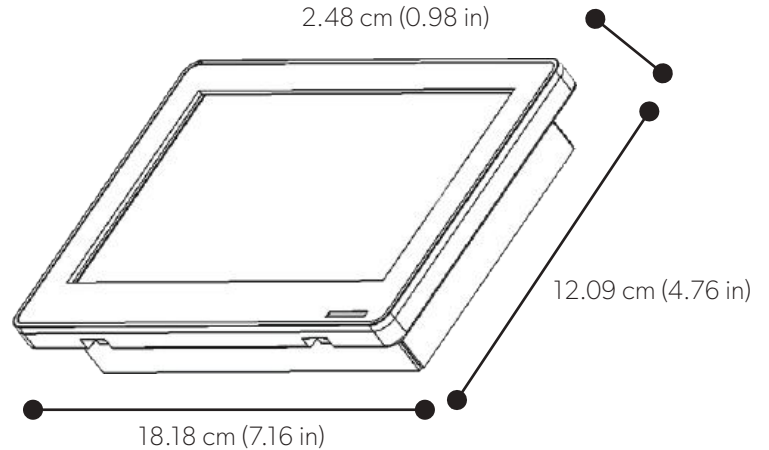
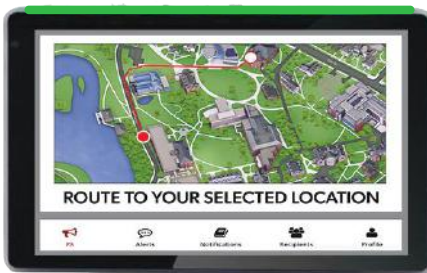
*Components or major end items can be provided that meet the above specifications.

SiRcom is capable of providing flexible purchasing options through our network of certified value-added resellers. Sole-source contract vehicles can help any public organization save time and resources.

For Additional Information
 Sales@SiRcomUSA.com
 1.800.841.0655



■ Product Diagram



■ Product Features

General

Mounting	Wall (Surface/Flush) or Desktop Mounted Tablet
Connectivity	Direct IP, WiFi, Bluetooth
Power	Power Over Ethernet (PoE), AC, DC Battery
Camera	Front Mounted Internal Camera*
Sensor	Proximity and Ambient Light Sensor
Design	Compact Design With Configurable Touchscreen
Usage Cases	Central Control Station For Full Systems Control Remote Local Operating Console For Sirens Alert Display (Visual and Sound) Panic Or Reporting Device

Key Advantages

Power	DC 9V-36V & AC 100V-240V
Customization	User Interface Is Customizable to User's Requirements
Easy Installations	No Conduit & Cabling Required For Simple Set Up

Technical Specifications

Material	Weather-Resistant Alloy Aluminum
Screen	Resolution 1280x800, Brightness 350 cd / m2
Speaker	Internal 2, 1 Watt Speaker (Built-In 3W Amp)
Connections	HDMI, RJ45, USB,

*Note: Cameras not available on DoD and some other agency models.



Touchscreen Battery Microphone

SiRcom is capable of providing flexible purchasing options through our network of certified value-added resellers. Sole-source contract vehicles can help any public organization save time and resources.

For Additional Information
Sales@SiRcomUSA.com
1.800.841.0655



SiRcom

Your Solution For Tomorrow's Emergency

