



SiRcom

An Emergency Mass Notification System Solution



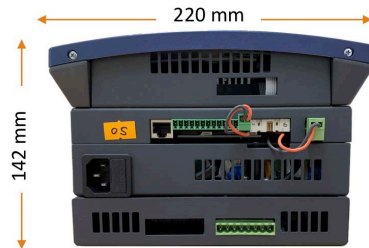
Making A Difference Through
LIFE-SAVING TECHNOLOGY

SiRcom Integrated Speaker Unit (ISU)

With the SiRcom Integrated Notification System, you can integrate with existing Fire Alarm Control Panels (FACP), Public Address Systems (PA) and a host of other notification platforms you may already have in place. In addition, the SiRcom Integrated Speaker Unit (ISU) is capable of acting as a standalone application, providing audible and visual alerting to your designated population.

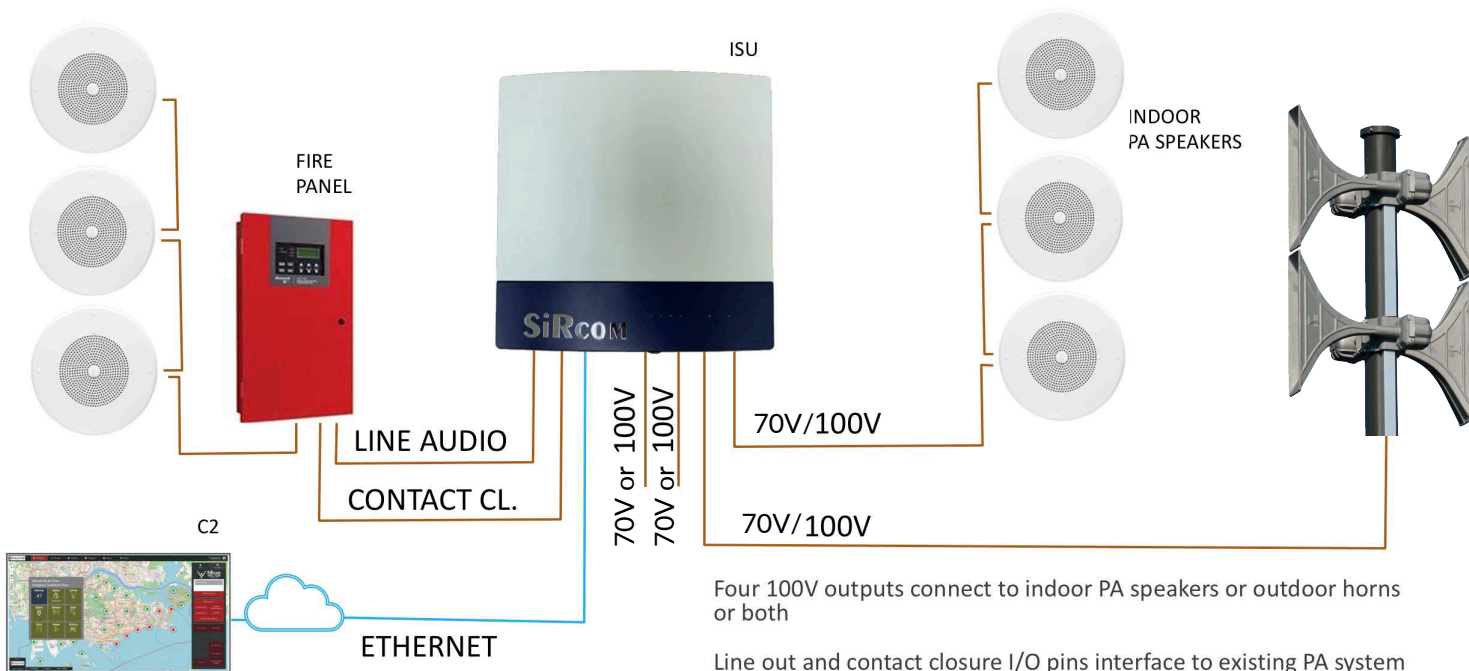
Standard Equipment

- SiRcom PA Amplifiers
- SiRcom PA Acoustic Balancers/Tuners
- Integrated IP/Ethernet Communication
- Compatible with WAVES Transceivers



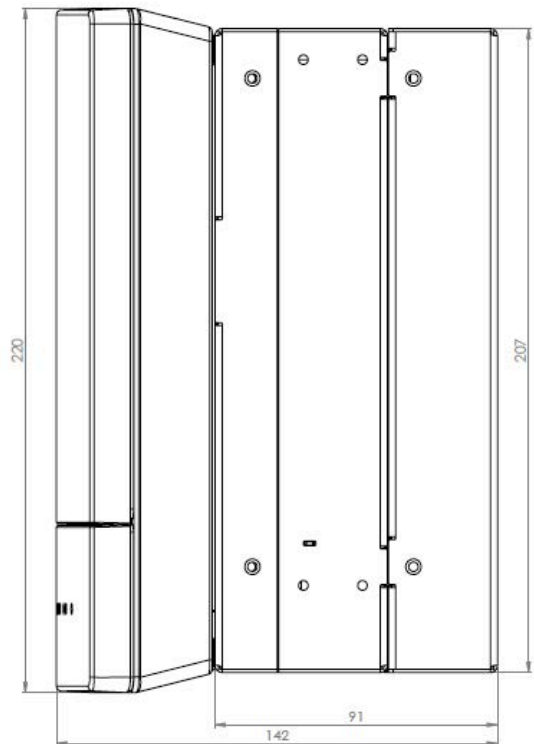
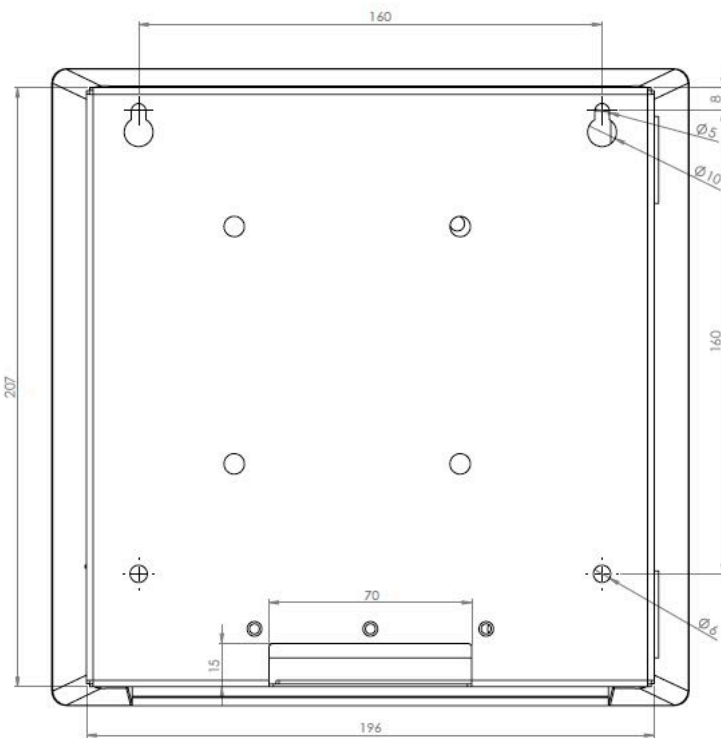
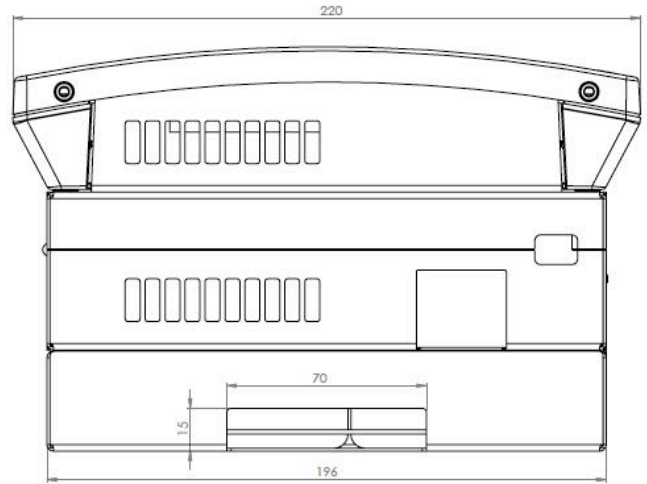
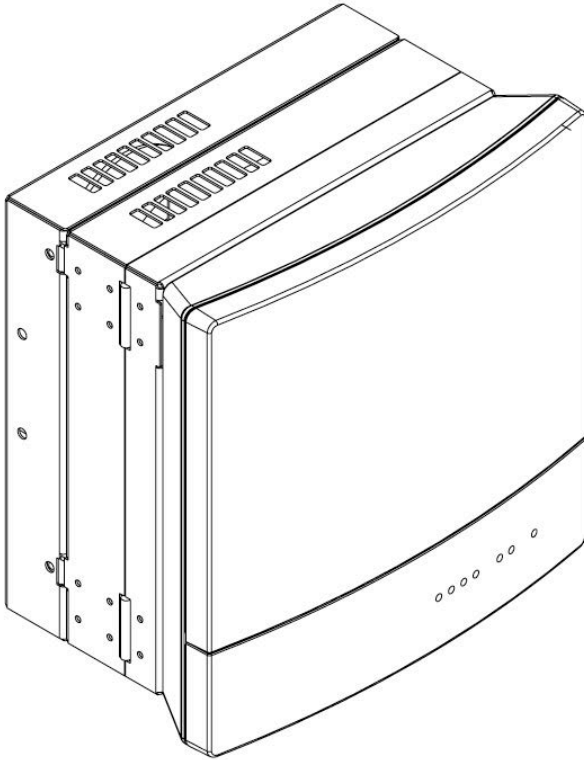
System Specs

- Integrated 500 Watt Amplifier
- Supervised / Unsupervised Speakers
- Supports In-Ceiling or Wall-Mounted Speakers (Speaker-Strobe Optional)
- Supports Indoor/Outdoor Horns
- Synchronized Strobes/Visual Alerting
- Capable of Operating on AC or DC
- 12v Battery-Backup Systems (96 Hours of Standby + 90 Minutes of Activation)
- Line-Level and Contact Closure Input
- Line-Level and Contact Closure Output





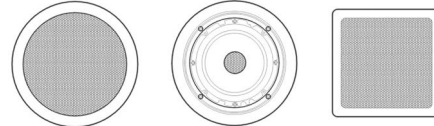
Power	
Maximum Output Power:	500 Watts max, up to 125 Watts per Channel
Number of Speaker Channels:	Four at 125 Watts each
Speaker Output Voltage:	70V/100 V (constant voltage), firmware configurable.
Input Power	100-230VAC 50/60Hz, 5A
	and/or
	10-14VDC, 50A
Internal battery type:	Lithium-Ion backup battery
Internal battery capacity:	200 Watt-Hours
Duration of battery:	96 Hour Standby + 90 minutes Activation *
Mechanical	
Dimensions:	220 x 220 x 144 mm (W X H X D)
Weight:	7 kg
Construction:	Powder coated steel with injection molded faceplate
Connections	
TCP/IP communications interface:	RJ45, 1GB
Radio interface:	16 pin header
Programmable I/O:	14 pin phoenix connector
	Analog or digital I/O inputs/outputs - configurable in firmware
Speaker Outputs:	8 pin Phoenix connector
Serial interface:	RS-232, RS-485
Software	
Operating system:	Proprietary system, no additional licensing required
Wireless:	Optional BLE interface for tablet control
Functions:	Full system interface over TCP/IP, radio and RS-232/RS-485
	Activate messages stored in onboard memory (upto 256 GB)
	Stream messages remotely
	System health monitoring and reporting
	SPL monitor feedback
* Minimum performance with 500 Watts of speakers connected. Performance increases with lower loudspeaker loads. Voice and tone content at 28% power duty cycle.	



MODEL NO.	Cut-out Dimensions	Dimensions(each speaker)
PDIC60	7 7/8" (W) x 7 7/8" (H) x 2 3/4" (D)	9" (W) x 9" (H) x 2 3/4" (D)
PDIC60T	7 7/8" (W) x 7 7/8" (H) x 4 5/8" (D)	9" (W) x 9" (H) x 4 5/8" (D)
PDIC80	9 3/8" (W) x 9 3/8" (H) x 3 1/2" (D)	10 3/4" (W) x 10 3/4" (H) x 3 1/2" (D)
PDIC80T	9 3/8" (W) x 9 3/8" (H) x 5 3/4" (D)	10 3/4" (W) x 10 3/4" (H) x 5 3/4" (D)
PDIC51RD/51RDBK PDIC51RDWT/51RDSL	6 1/2" (W) x 6 1/2" (H) x 2 3/4" (D)	8" (W) x 8" (H) x 2 3/4" (D)
PDIC55SQ	5 3/8" (W) x 5 3/8" (H) x 2 3/4" (D)	7" (W) x 7" (H) x 2 3/4" (D)
PDIC61RD/61RDBK PDIC61WT/61RDSL	7 3/8" (W) x 7 3/8" (H) x 2 3/4" (D)	9" (W) x 9" (H) x 2 3/4" (D)
PDIC65SQ	7 1/4" (W) x 7 1/4" (H) x 3" (D)	8 5/8" (W) x 8 5/8" (H) x 3" (D)
PDIC81RD/81RDBK PDIC81WT/81RDSL	9 3/8" (W) x 9 3/8" (H) x 3 1/2" (D)	10 3/4" (W) x 10 3/4" (H) x 3 1/2" (D)
PDIC85SQ	8 5/8" (W) x 8 5/8" (H) x 3 1/2" (D)	10" (W) x 10" (H) x 3 1/2" (D)
PDIW55/55BK/55SL/55WT	6 5/8" (W) x 10 5/8" (H) x 2 3/4" (D)	7 5/8" (W) x 11 1/4" (H) x 2 3/4" (D)
PDIW52	6 5/8" (W) x 10 5/8" (H) x 2 3/4" (D)	7 5/8" (W) x 11 1/4" (H) x 2 3/4" (D)
PDIW65/65BK/65SL/65WT	7 3/4" (W) x 11 3/8" (H) x 2 7/8" (D)	8 3/4" (W) x 12 1/2" (H) x 2 7/8" (D)
PDIW62	7 3/4" (W) x 11 3/8" (H) x 2 7/8" (D)	8 3/4" (W) x 12 1/2" (H) x 2 7/8" (D)
PWRC51/52	6 1/2" (W) x 6 1/2" (H) x 2 3/4" (D)	8" (W) x 8" (H) x 2 3/4" (D)
PWRC61/62	7 7/8" (W) x 7 7/8" (H) x 2 3/4" (D)	9" (W) x 9" (H) x 2 3/4" (D)
PWRC81/82	9 3/8" (W) x 9 3/8" (H) x 3 1/2" (D)	10 3/4" (W) x 10 3/4" (H) x 3 1/2" (D)
PDIW57	7.04" (W) x 10.6" (H) x 3.68" (D)	8.4" (W) x 12" (H) x 4.2" (D)
PDIW67	8.24" (W) x 11.76" (H) x 3.68" (D)	9.52" (W) x 13" (H) x 4.28" (D)
PDIW87	8.84" (W) x 13" (H) x 4" (D)	10.24" (W) x 14.4" (H) x 4.44" (D)
PDIWCS56/56BK/56SL/56WT	14" (W) x 6.4" (H) x 3" (D)	15.6" (W) x 7.6" (H) x 3.6" (D)
PDIWCS62	16.4" (W) x 7.04" (H) x 3.4" (D)	17.6" (W) x 8.08" (H) x 3.92" (D)
PDIWS8	8.8" (W) x 8.8" (H) x 4" (D)	10.2" (W) x 10.2" (H) x 4.6" (D)
PDIWS28	18.6" (W) x 8.8" (H) x 4" (D)	20" (W) x 10.2" (H) x 4.6" (D)
PDIWS10	10.8" (W) x 10.8" (H) x 3.5" (D)	12.2" (W) x 12.2" (H) x 4.1" (D)
PDIWS12	13.2" (W) x 13.2" (H) x 3.5" (D)	14.6" (W) x 14.6" (H) x 4.1" (D)

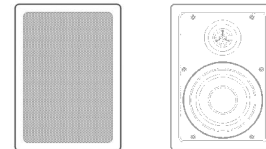
IN-CEILING SPEAKERS

- PDIC60 PDIC60T PDIC80 PDIC80T
- PDIC51RD PDIC61RD PDIC81RD
- PDIC55SQ PDIC65SQ PDIC85SQ
- PWRC52 PWRC62 PWRC82
- PWRC51 PWRC61 PWRC81
- PDIC51RDBK PDIC61RDBK PDIC81RDBK
- PDIC51RDSL PDIC61RDSL PDIC81RDSL
- PDIC51RDWT PDIC61RDWT PDIC81RDWT

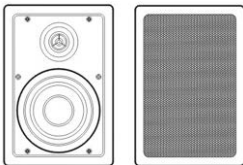


IN-WALL SPEAKERS

- PDIW52 PDIW62 PDIW55 PDIW65
- PDIWCS56 PDIWCS62 PDIWS8 PDIWS10 PDIWS12 PDIWS28
- PDIW57 PDIW67 PDIW87
- PDIW55BK PDIW55WT PDIW65BK PDIW65WT PDIW65SL
- PDIWCS56BK PDIWCS56WT PDIWCS56SL

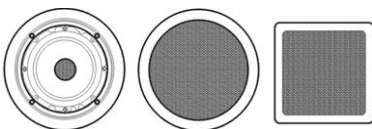


IN-WALL SPEAKERS



One pair of speakers with grilles.
One pc of speakers with grilles
for PWRC52/PWRC62/PWRC82

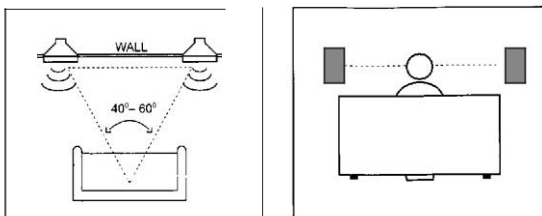
IN-CEILING SPEAKERS



One pair of speakers with grilles

SPEAKER PLACEMENT

FRONT SPEAKERS



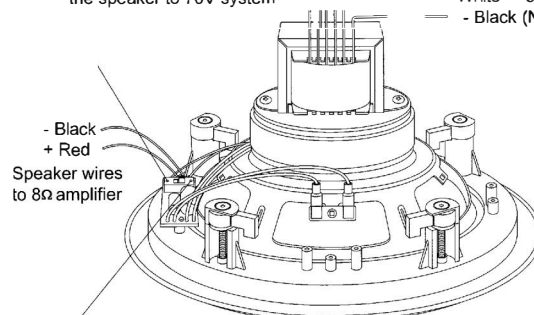
WIRING DIAGRAM (PDIC60T/PDIC80T)

70V SYSTEM SPEAKER WIRES

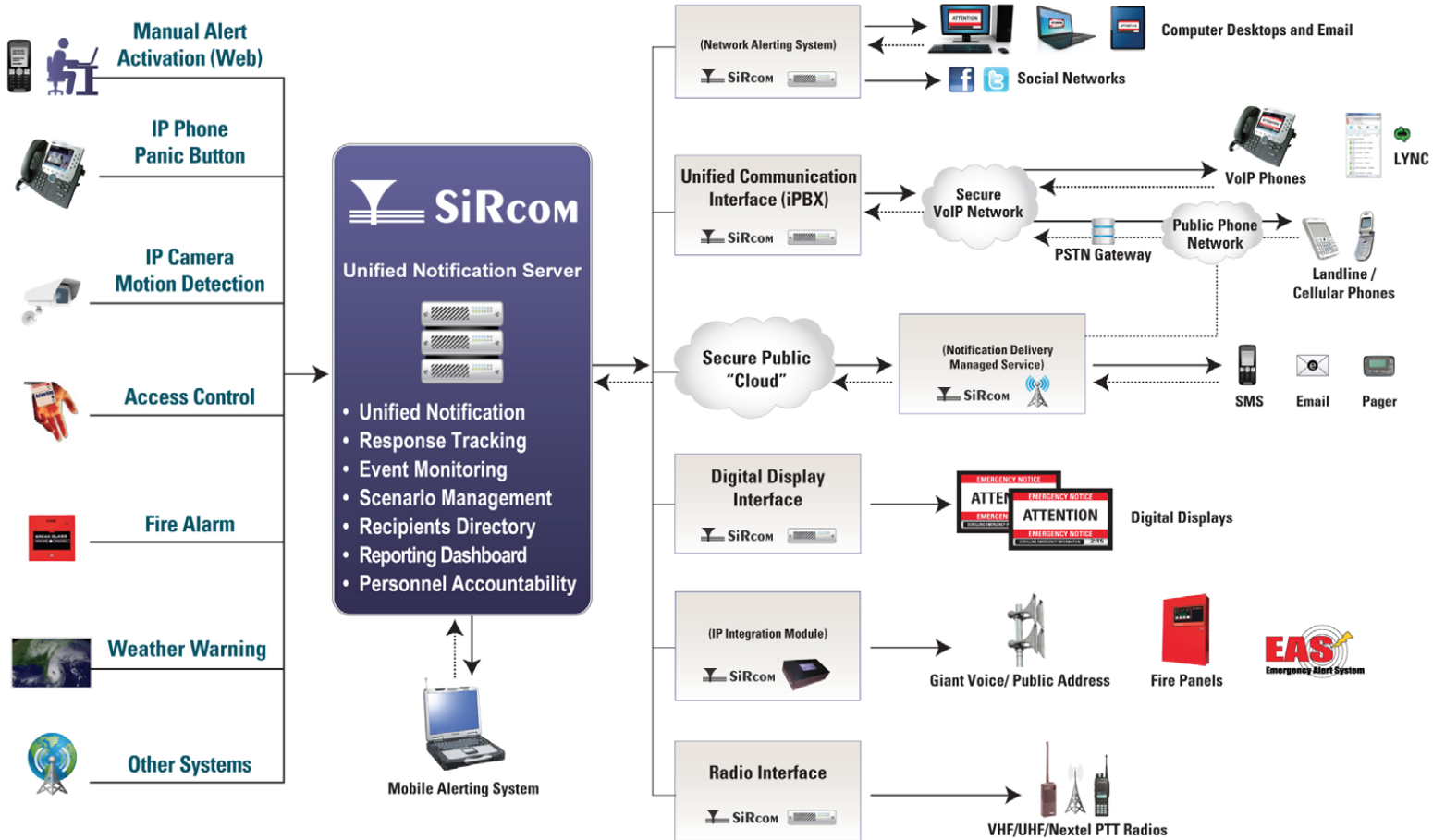
PDIC80T PDIC60T

- Blue 10W 5W
- Red 20W 10W
- Orange 30W 15W
- Yellow 40W 20W
- White 50W 30W
- Black (Negative)

Switch to "Transformer"
position when you connect
the speaker to 70V system



Switch to "8Ω" position
when you connect the speaker to normal 8Ω amplifier



Optional Accessories

